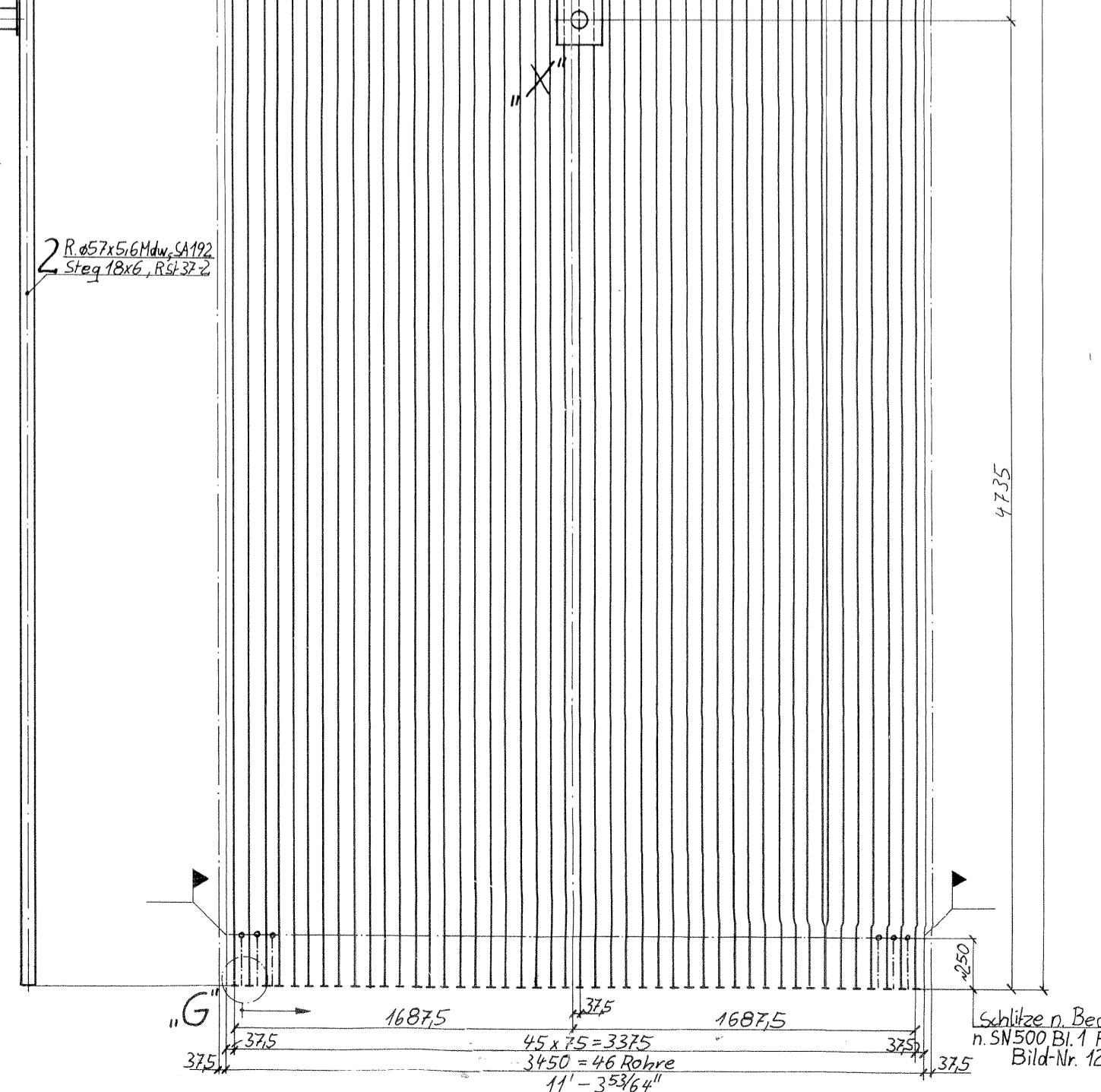
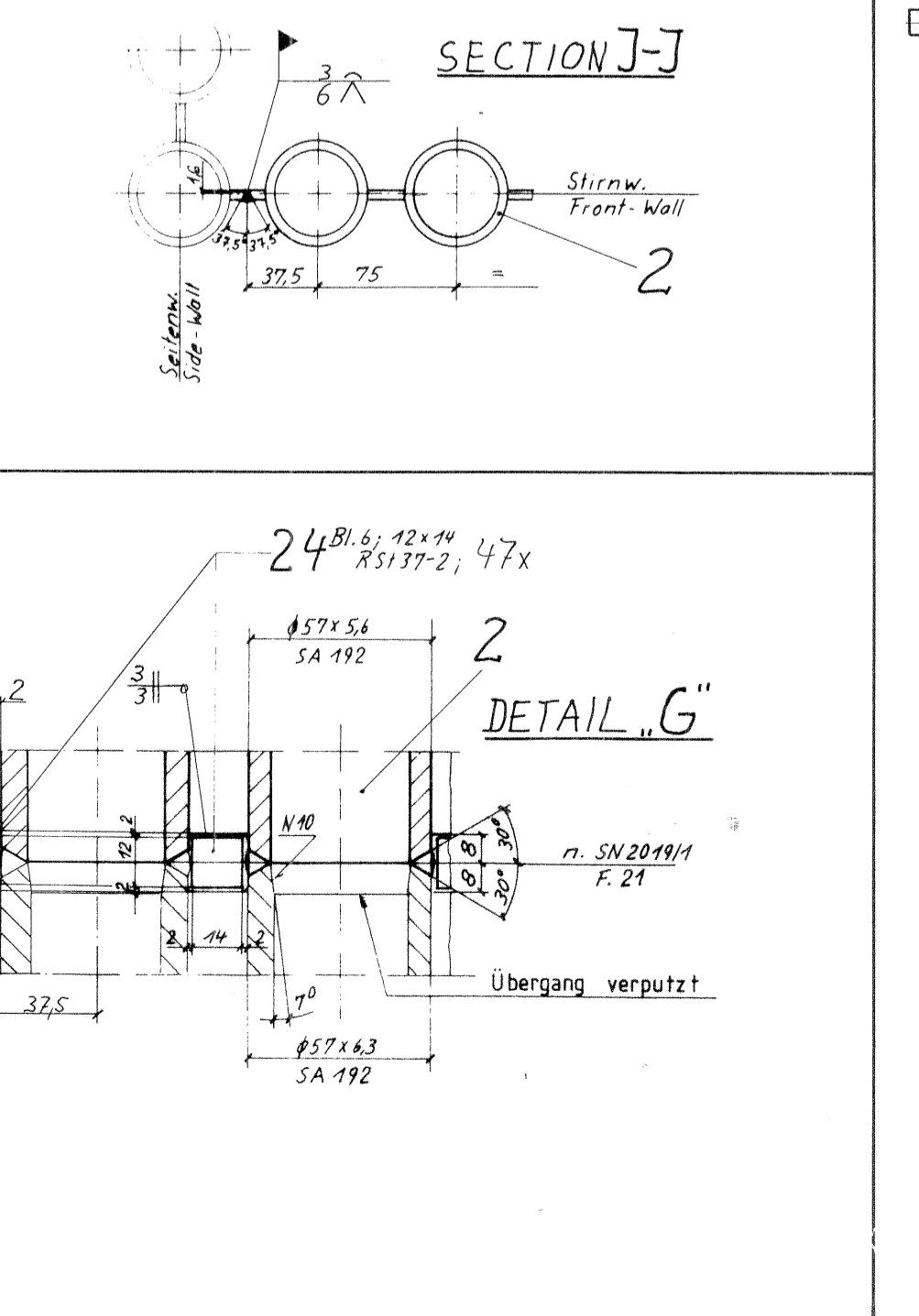


Part No.	Material	Part No.	Material	Dimensions	Shap. Qty.	Site	Welding	Filter-metal	Heat treatment	REMARKS
53	Sicro 10	Rohr SA 192	12	RSt 37-2	325					100 Fertigungsproben
52	15Mn3	12	RSt 37-2	188						
51	RSt 37-2	12	RSt 37-2	188						
50	RSt 37-2	12	RSt 37-2	188						
49	RSt 37-2	12	RSt 37-2	188						
48	RSt 37-2	12	RSt 37-2	188						
47	RSt 37-2	12	RSt 37-2	188						
46	RSt 37-2	12	RSt 37-2	188						
45	RSt 37-2	12	RSt 37-2	188						
44	RSt 37-2	12	RSt 37-2	188						
43	RSt 37-2	12	RSt 37-2	188						
42	RSt 37-2	12	RSt 37-2	188						
41	RSt 37-2	12	RSt 37-2	188						
40	RSt 37-2	12	RSt 37-2	188						
39	RSt 37-2	12	RSt 37-2	188						
38	RSt 37-2	12	RSt 37-2	188						
37	RSt 37-2	12	RSt 37-2	188						
36	RSt 37-2	12	RSt 37-2	188						
35	RSt 37-2	12	RSt 37-2	188						



Part No.	Material	Part No.	Material	Dimensions	Shap. Qty.	Site	Welding	Filter-metal	Heat treatment	REMARKS
53	Sicro 10	Rohr SA 192	12	RSt 37-2	325					100 Fertigungsproben
52	15Mn3	12	RSt 37-2	188						
51	RSt 37-2	12	RSt 37-2	188						
50	RSt 37-2	12	RSt 37-2	188						
49	RSt 37-2	12	RSt 37-2	188						
48	RSt 37-2	12	RSt 37-2	188						
47	RSt 37-2	12	RSt 37-2	188						
46	RSt 37-2	12	RSt 37-2	188						
45	RSt 37-2	12	RSt 37-2	188						
44	RSt 37-2	12	RSt 37-2	188						
43	RSt 37-2	12	RSt 37-2	188						
42	RSt 37-2	12	RSt 37-2	188						
41	RSt 37-2	12	RSt 37-2	188						
40	RSt 37-2	12	RSt 37-2	188						
39	RSt 37-2	12	RSt 37-2	188						
38	RSt 37-2	12	RSt 37-2	188						
37	RSt 37-2	12	RSt 37-2	188						
36	RSt 37-2	12	RSt 37-2	188						
35	RSt 37-2	12	RSt 37-2	188						

DOCUMENT REVIEWED  
 1455 EDWARDS ST.  
 GIBBS & HILL, INC.  
 SEP 15 1987

RECEIVED  
 MAR 30 1987  
 GIBBS & HILL, INC.

Freie Teil Nr.: 3-10,12-20;26-50  
 Part Nr. without entries:  
 = Schaltschema-Pos  
 CIRCUITRY ITEM

Stirnwand u. Deckenrohre von außen gesehen  
 FRONTWALL- AND ROOFTUBES SEEN FROM OUTSIDE

Wandfertigung n. SN 500 Ausg. März 85  
 TUBE WALL FABRICATION TO SN 500 EDITION MARCH 85

Part No.	Material	Part No.	Material	Dimensions	Shap. Qty.	Site	Welding	Filter-metal	Heat treatment	REMARKS
01.2380.070.013	Rohr SA 192	12	RSt 37-2	325						
01.2380.070.014	Rohr SA 192	12	RSt 37-2	325						
01.2380.070.015	Rohr SA 192	12	RSt 37-2	325						
01.2380.070.016	Rohr SA 192	12	RSt 37-2	325						
01.2380.070.017	Rohr SA 192	12	RSt 37-2	325						
01.2380.070.018	Rohr SA 192	12	RSt 37-2	325						
01.2380.070.019	Rohr SA 192	12	RSt 37-2	325						
01.2380.070.020	Rohr SA 192	12	RSt 37-2	325						
01.2380.070.021	Rohr SA 192	12	RSt 37-2	325						
01.2380.070.022	Rohr SA 192	12	RSt 37-2	325						
01.2380.070.023	Rohr SA 192	12	RSt 37-2	325						
01.2380.070.024	Rohr SA 192	12	RSt 37-2	325						
01.2380.070.025	Rohr SA 192	12	RSt 37-2	325						
01.2380.070.026	Rohr SA 192	12	RSt 37-2	325						
01.2380.070.027	Rohr SA 192	12	RSt 37-2	325						
01.2380.070.028	Rohr SA 192	12	RSt 37-2	325						
01.2380.070.029	Rohr SA 192	12	RSt 37-2	325						
01.2380.070.030	Rohr SA 192	12	RSt 37-2	325						
01.2380.070.031	Rohr SA 192	12	RSt 37-2	325						
01.2380.070.032	Rohr SA 192	12	RSt 37-2	325						
01.2380.070.033	Rohr SA 192	12	RSt 37-2	325						
01.2380.070.034	Rohr SA 192	12	RSt 37-2	325						
01.2380.070.035	Rohr SA 192	12	RSt 37-2	325						
01.2380.070.036	Rohr SA 192	12	RSt 37-2	325						
01.2380.070.037	Rohr SA 192	12	RSt 37-2	325						
01.2380.070.038	Rohr SA 192	12	RSt 37-2	325						
01.2380.070.039	Rohr SA 192	12	RSt 37-2	325						
01.2380.070.040	Rohr SA 192	12	RSt 37-2	325						
01.2380.070.041	Rohr SA 192	12	RSt 37-2	325						
01.2380.070.042	Rohr SA 192	12	RSt 37-2	325						
01.2380.070.043	Rohr SA 192	12	RSt 37-2	325						
01.2380.070.044	Rohr SA 192	12	RSt 37-2	325						
01.2380.070.045	Rohr SA 192	12	RSt 37-2	325						
01.2380.070.046	Rohr SA 192	12	RSt 37-2	325						
01.2380.070.047	Rohr SA 192	12	RSt 37-2	325						
01.2380.070.048	Rohr SA 192	12	RSt 37-2	325						
01.2380.070.049	Rohr SA 192	12	RSt 37-2	325						
01.2380.070.050	Rohr SA 192	12	RSt 37-2	325						

Rohr TUBE SIZE	Ø57	Ø57	Gabel- 5/8Mdw. x 5/8Mdw. Rohr
WORKSHEET MATERIAL	SA 192	SA 192	SA 182 F1
Gesamtlänge TOTAL LENGTH	375m	415m	2
Anzahl der Bogen NUMBER OF BENDS	46		
Biegeradius BENDING RADIUS	250		
Schaltchemaps CIRCUITRY ITEM	42	42	37
Baugruppe ASSEMBLY	070	070	070

Herstell - Nr.: 1 WORKS SER. NO. 7873 BOILER 1-5G-1B  
 Techn. Daten: Schaltchemaps, CIRCUITRY ITEM, Berechn. - Druck, DESIGN PRESSURE, Berechn. - Temp., DESIGN TEMPERATURE  
 Festigkeitstechnisch geprüft: 22.10.84, DATE, STRESS ANALYSIS CHECKED BY: CHECKED

Index	Description	Revision	On	Drn.	Chkd	Strngth
02	R.1.R.2. RAu Bestiftung nachgetragen	1	4.02.87	W. K. G.		
01	Anzahl der Schlitze, Teil 52	1	6.11.85	W. K. G.		

Project	Portland
STEINMÜLLER GUMMERSBACH	Stirnwand und Deckenrohre 1.u.2. Zug
1986 On	By Ext. 688
Drn. 06.10. 1/10/86	General tolerances
Chkd. 1/10/86	see
1/10/86	SN 10
1/10/86	SN 10
Scale 1:20	Based on:
This drawing is proprietary and any information therein shall not be copied, reproduced or disclosed to others without Steinmüller's permission. Any misuse is subject to prosecution.	